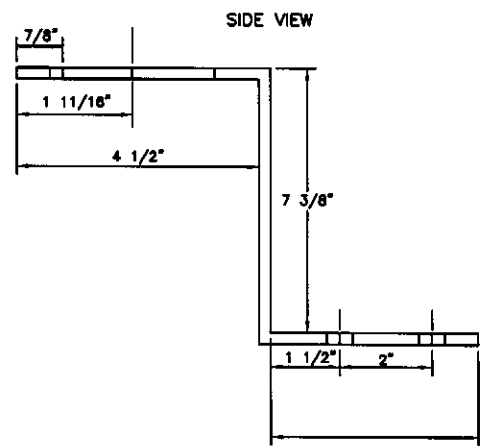
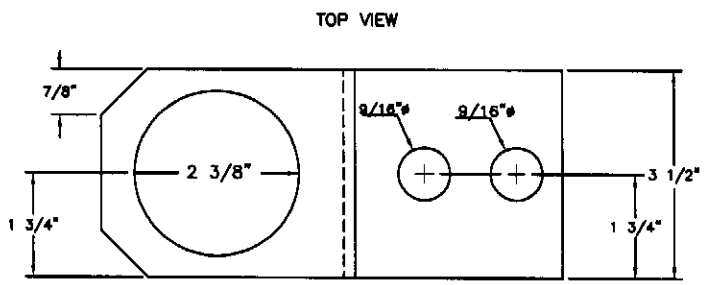


FLUSH CHAMBER



AIR RELIEF CHAMBER

NOTE:  
 1/4" FLAT STOCK. BRACKETS  
 FOR SCHEDULE 40 PIPE MADE OUT OF  
 S.S. STOCK 304 OR 316.  
 1/2" X 3-3/4" S.S. WEDGE ANCHOR BOLTS  
 2 EACH PER BRACKET.

THE  
 METROPOLITAN SEWER DISTRICT  
 OF  
 GREATER CINCINNATI  
 BRACKET DETAILS  
 1" TO 3" LOW PRESSURE  
 FORCE MAINS