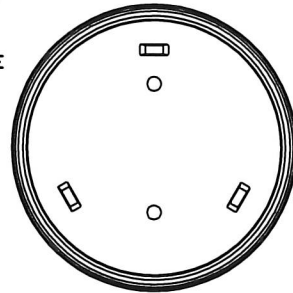
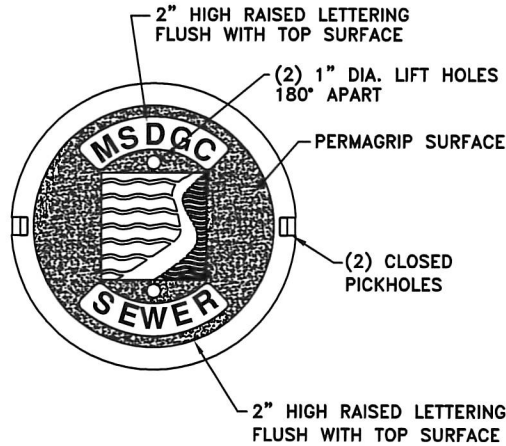
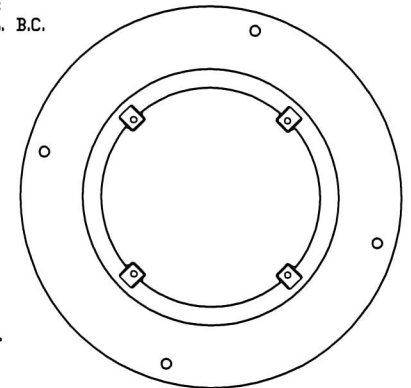
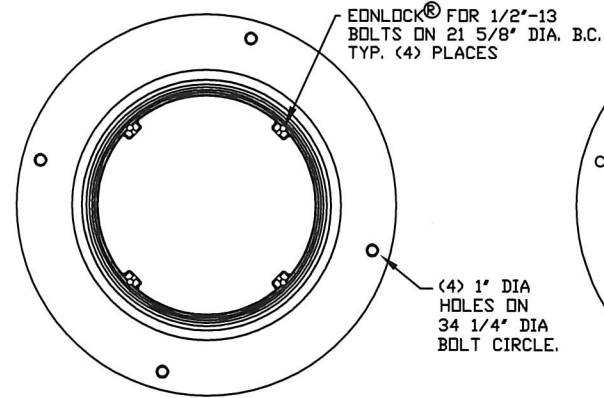


LID SPEC: EAST JORDAN PRODUCT #00166565, 1665C OR EQUAL  
 LID MATERIAL: CAST GRAY IRON ASTM A48, CLASS 35B  
 LID FINISH: NO PAINT

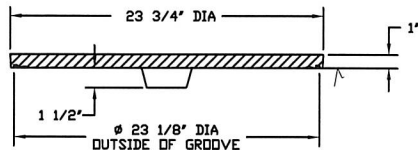
FRAME SPEC: EAST JORDAN PRODUCT #NCR07-2222B, 1665Z1PT, OR EQUAL  
 FRAME MATERIAL: CAST GRAY IRON ASTM A48, CLASS 35B  
 FRAME FINISH: NO PAINT



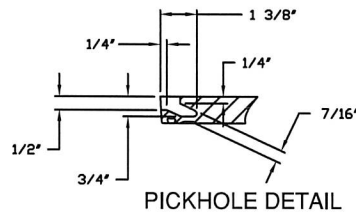
BOTTOM VIEW



BOTTOM VIEW

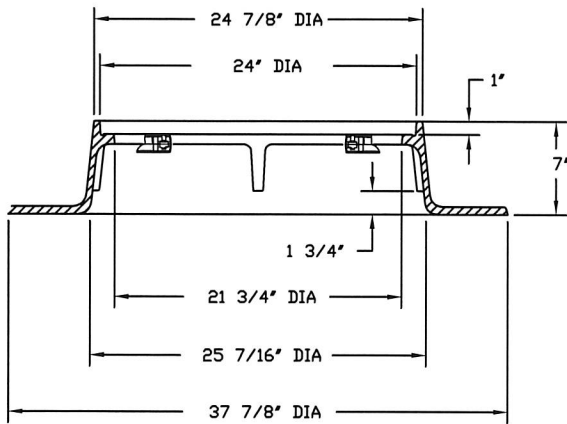
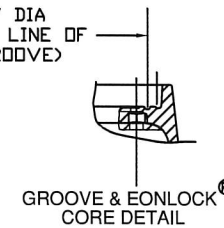


COVER SECTION



PICKHOLE DETAIL

22 5/8" DIA  
(TO CENTER LINE OF  
GASKET GROOVE)



FRAME SECTION

THIS FRAME (WITH EONLOCK® FUNCTIONALITY) SHALL BE USED  
ON ALL MANHOLES.

COVER SHOWN ON ACC. NO. 49051 SHALL BE USED WHEN  
WATERTIGHT LID IS SPECIFIED ON PLANS.

COVER SHOWN ON ACC. NO. 61980 SHALL BE USED ON PRIVATE  
SANITARY SEWERS.

CASTING SHALL BE SECURED TO MANHOLE CONE SECTION WITH  
3/4" DIAMETER STAINLESS STEEL ANCHOR BOLTS OR CINCH  
ANCHORS. BOLTS OR ANCHORS SHALL BE LONG ENOUGH TO  
EXTEND THROUGH GRADE RINGS AND AT LEAST 2" INTO  
MANHOLE CONE SECTION.

NOTE: NEENAH MAKES AN APPROVED  
EQUAL TO THIS STANDARD. OTHERS WILL  
ONLY BE APPROVED IF THE EXACT SAME  
FUNCTIONALITY AS EONLOCK® IS PROVIDED.

THE  
METROPOLITAN SEWER DISTRICT  
OF  
GREATER CINCINNATI  
STANDARD CASTINGS  
FOR MANHOLE

NO SCALE

DATE: AUG. 2011

APPROVED: *Ralph Johnston*  
SEWERS CHIEF ENGINEER

M.C.

ACC. NO. 49005