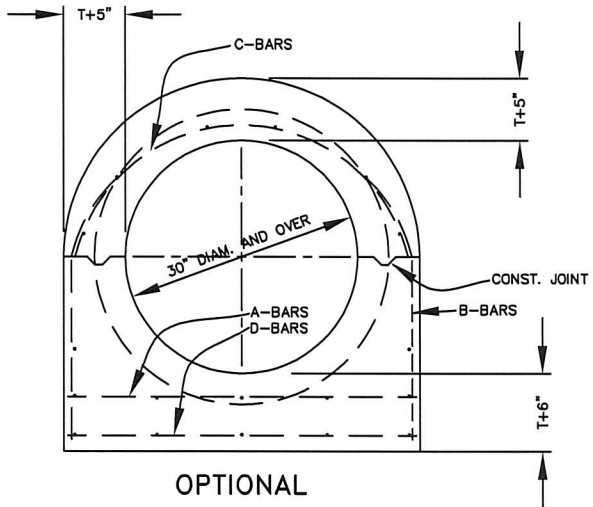
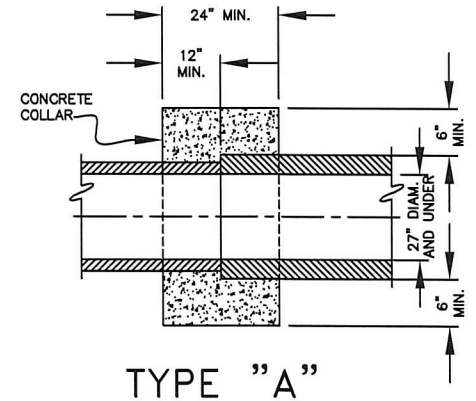


SECTION A-A

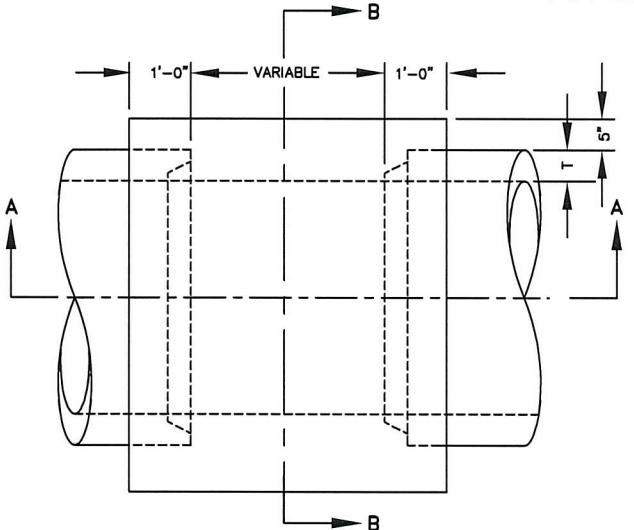
TYPE "B"



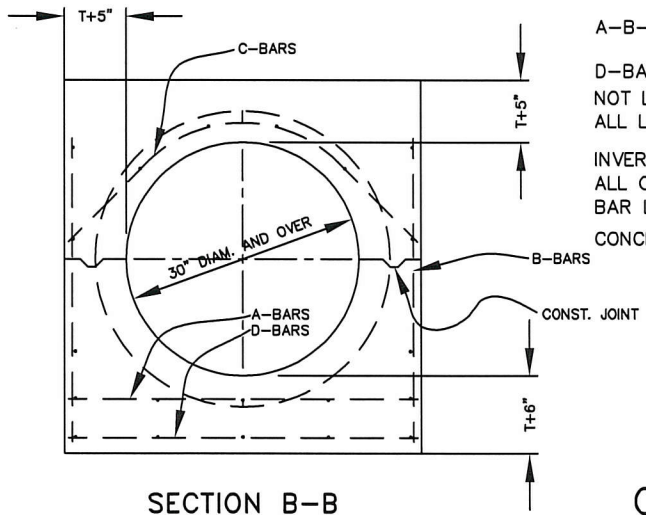
OPTIONAL SECTION B-B



TYPE "A"



PLAN



SECTION B-B

NOTE:  
 A-B-C AND D-BARS @ 12" O.C.  
 #5 BARS FOR 30" TO 60" SEWERS.  
 A-B-C { #6 BARS FOR 66" TO 78" SEWERS.  
           #7 BARS FOR 84" TO 108" SEWERS.  
 D-BARS #5 BARS FOR 30" TO 108" SEWERS.  
 NOT LESS THAN 3 TRANSVERSE BARS IN ANY GAP.  
 ALL LONGITUDINAL STEEL - #5 BARS @ 18" O.C.  
 INVERT STEEL - 3" CL.  
 ALL OTHER STEEL - 2" CL.  
 BAR LAP - 30 TIMES THE BAR DIAMETER.  
 CONCRETE SHALL BE CLASS "C".

THE  
 METROPOLITAN SEWER DISTRICT  
 OF  
 GREATER CINCINNATI  
**STANDARD  
 CONCRETE COLLARS  
 ON CONDUITS**

NO SCALE  
 APPROVED:  DATE: AUG., 2006  
 SEWERS CHIEF ENGINEER

ACC. NO. 49031